

JS Series

Power Rocker Switches

Specifications:

RATING : K:6A 125 VAC/3A 250 VAC (UL CSA)
 H:10A 125 VAC/6A 250 VAC (UL ~ SEA)
 L:5A 125 L(Inrush Current 80A)
 T:16A 125 VAC/10A 250 VAC T105(UL20)

CONTACT RESISTANCE : 20mΩ (max.)

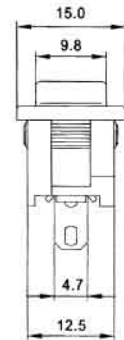
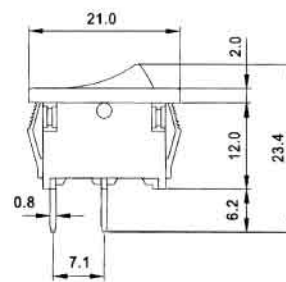
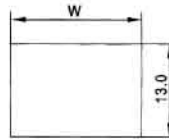
INSULATION RESISTANCE : DC 500V 100MΩ(min)

DIELECTRIC STRENGTH : 1500VAC/1 Minute

SAFETY APPROVAL : 



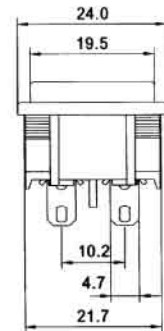
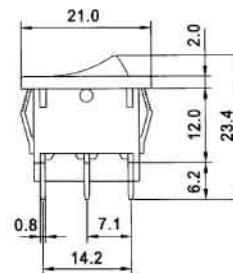
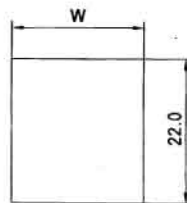
W	Panel Thickness
19.2	0.75-1.25
19.4	1.25-2.0
19.8	2.0-3.0



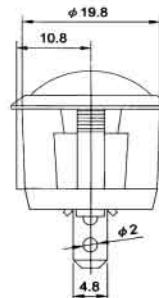
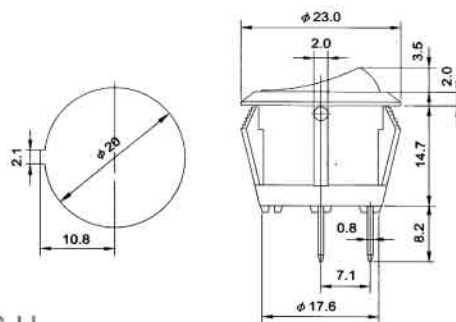
Part No. JS-606C-Q-B/B-6



W	Panel Thickness
19.2	0.75-1.25
19.4	1.25-2.0
19.8	2.0-3.0



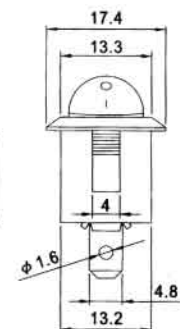
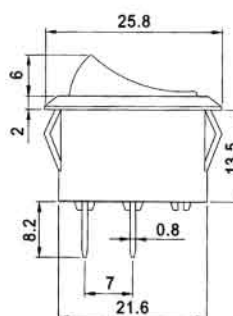
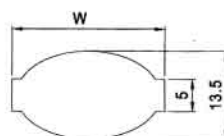
Part No. JS-606PC-Q-B/B-31



Part No. JS-606-2C-B/B-6-H



W	Panel Thickness
23.3	0.75-1.25
23.5	1.25-2.0
23.9	2.0-3.0



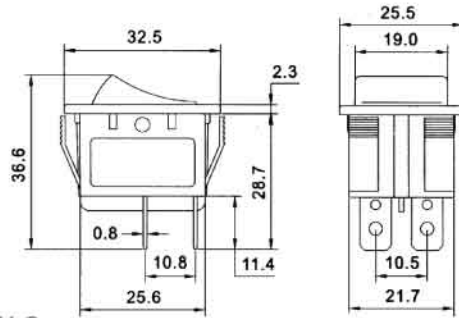
Part No. JS-606-3A-B/B-2-H

JS Series

Power Rocker Switches



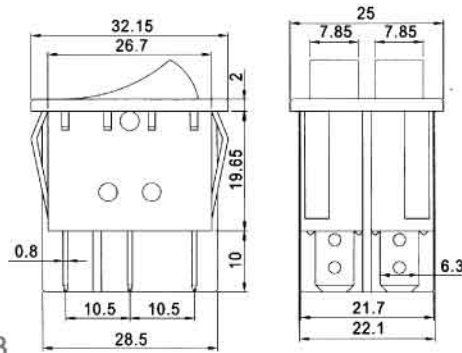
Part No. JS-608RAL-0-G/W-2



R	W	Panel Thickness	F	W	Panel Thickness
	28.0	0.75-1.25		30.0	0.75-1.25
	28.2	1.25-2.0		30.2	1.25-2.0
	28.5	2.0-3.0		30.5	2.0-3.0



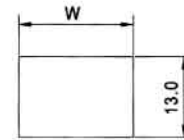
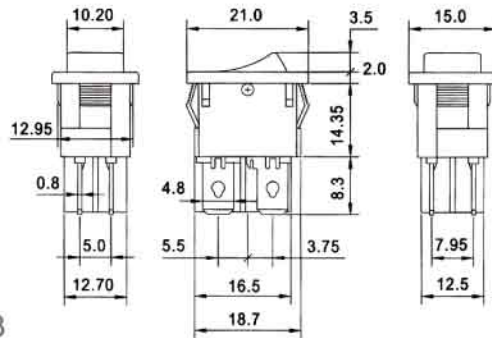
Part No. JS-628-RLL-YY/B-3



R	W	Panel Thickness	F	W	Panel Thickness
	28.0	0.75-1.25		30.0	0.75-1.25
	28.2	1.25-2.0		30.2	1.25-2.0
	28.5	2.0-3.0		30.5	2.0-3.0



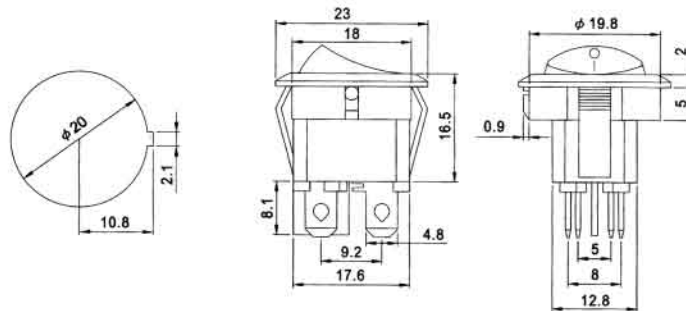
Part No. RL3-4A-Q-B/B-3



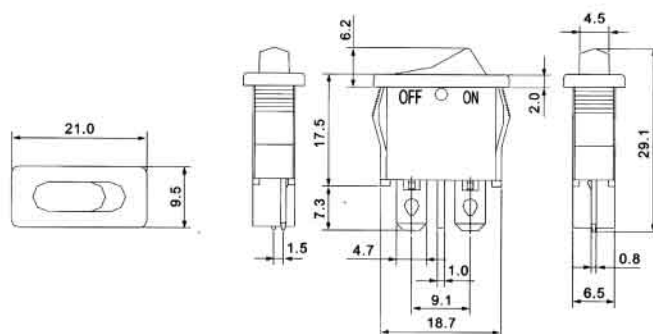
W	Panel Thickness
19.2	0.75-1.25
19.4	1.25-2.0
19.8	2.0-3.0



Part No. RL3-4RA-Q-B/B-3

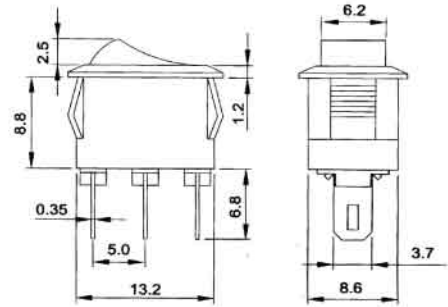
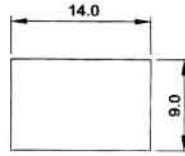
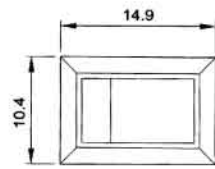


Part No. JS-626A-Q-B/B-3

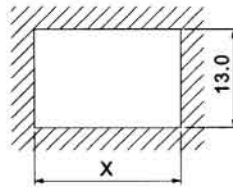


JS Series

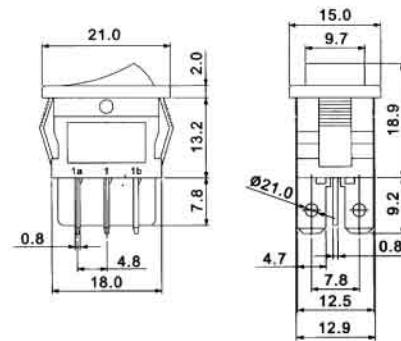
Power Rocker Switches



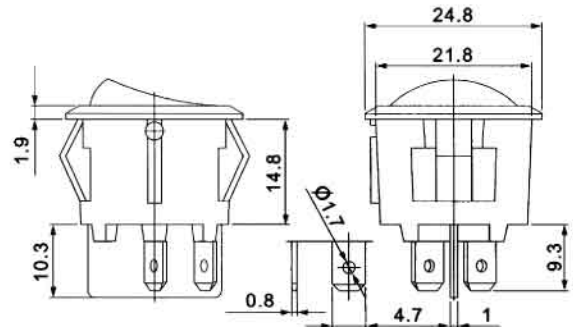
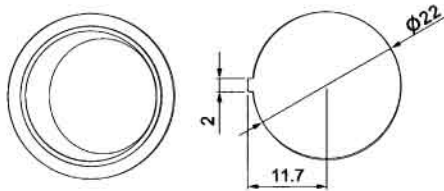
Part No. JS-636B-Q-R/B-2



Panel Thickness	X
0.75~1.25	19.2
1.25~2.0	19.4
2.0~3.0	19.6



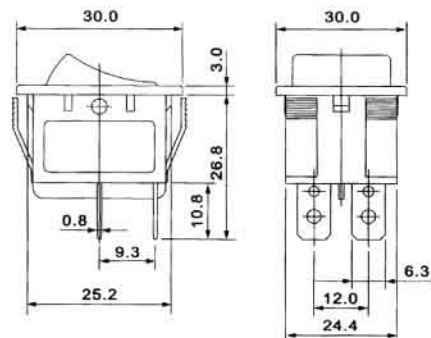
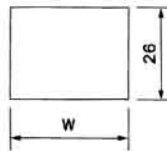
Part No. JS-606Q-C2-B/B-6



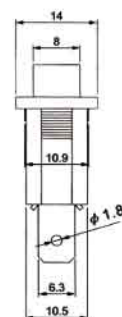
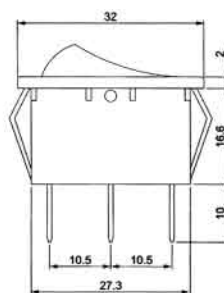
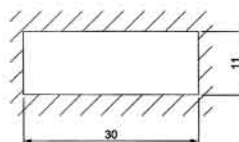
Part No. RL3-5XC-B/B-7



W	Panel Thickness
25.0	0.75~1.25
25.2	1.25~2.0
25.5	2.0~3.0



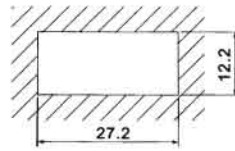
Part No. JS-618A-H/H-2



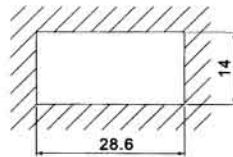
Part No. RL1-4L-0-R/B-2

JS Series

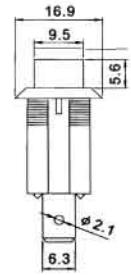
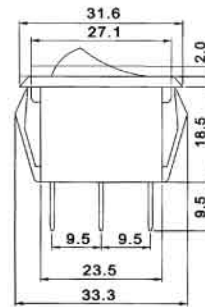
Power Rocker Switches



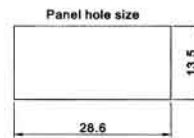
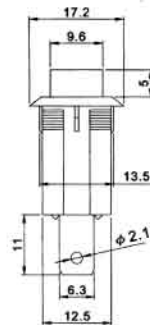
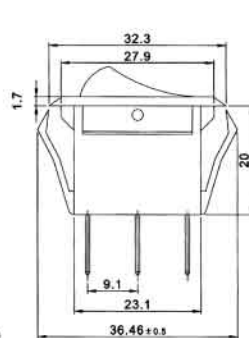
Panel hole size-S



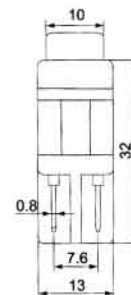
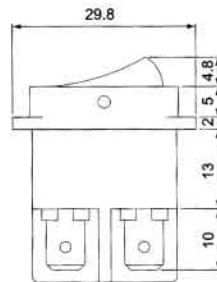
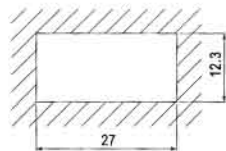
Panel hole size-G



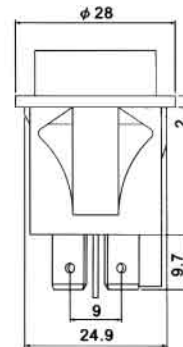
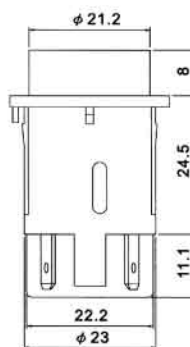
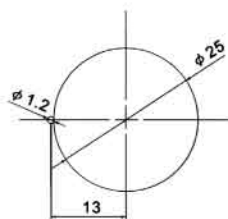
Part No.RL1-5F-R/B-0-S



Part No.RL1-5WL-R/B-2



Part No.RL1-8A-Q-B/B-2



Part No.RL5-1D-R/B