

R18 Series

Pushbutton Switches

SPECIFICATIONS

PROOF VOTAGE : 1500Vac.

CONTACT RESISTANCE : 20m.Ohm(max).

ELECTRICAL LIFE : 50,000(min).

MECHANICAL LIFE : 100,000(min).

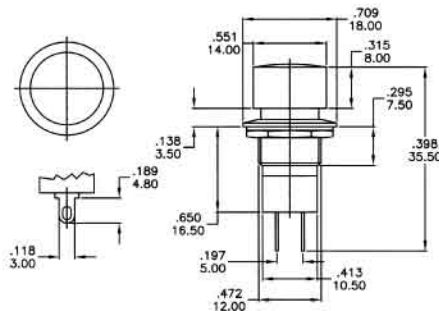
CINCUITRY : S.P.S.T

CONTACT RATING : 1A 250Vac

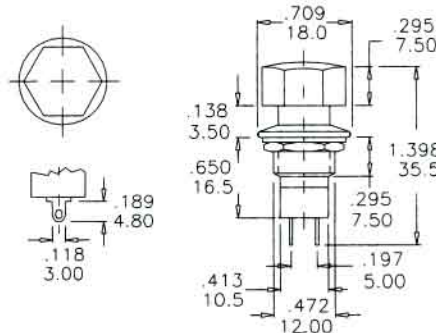
NS : 3A 125Vac

INSULATION RESISTANCE : 100MΩ min.

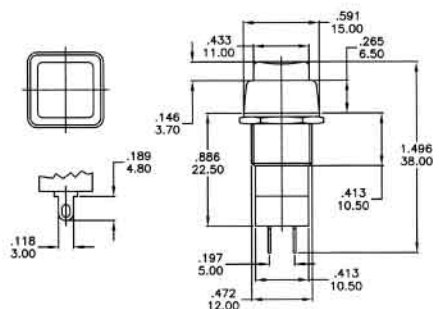
COLOR NO.	COLOR	COLOR NO.	COLOR
1	White	6	Green
2	Black	7	Blue
3	Red(std.)	8	Brown
4	Orange	9	Gray
5	yellow		



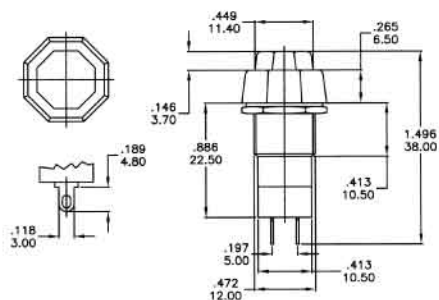
Model No.	TYPE
R18-21A	OFF-ON (LOCK)
R18-21B	OFF-(ON)
R18-21C	ON-(OFF)



Model No.	TYPE
R18-22A	OFF-ON (LOCK)
R18-22B	OFF-(ON)
R18-22C	ON-(OFF)



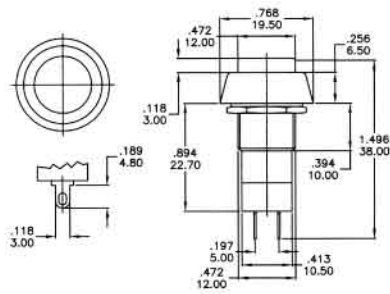
Model No.	TYPE
R18-23A	OFF-ON (LOCK)
R18-23B	OFF-(ON)
R18-23C	ON-(OFF)



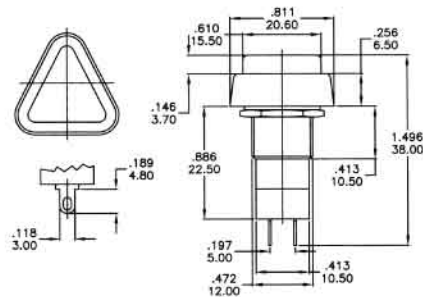
Model No.	TYPE
R18-24A	OFF-ON
R18-24B	OFF-(ON)

R18 Series

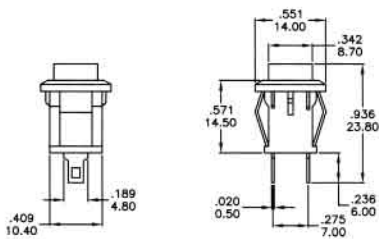
Pushbutton Switches



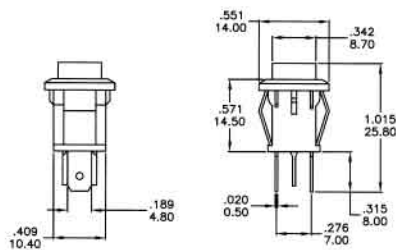
Model No.	TYPE
R18-25A	OFF-ON (LOCK)
R18-25B	OFF-(ON)
R18-25C	ON-(OFF)



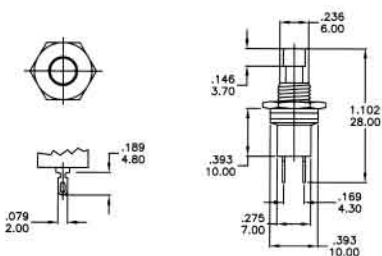
Model No.	TYPE
R18-26A	OFF-ON
R18-26B	OFF-(ON)



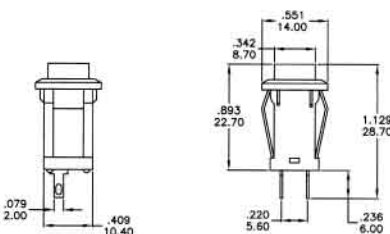
Model No.	TYPE
R18-27A	OFF-ON
R18-27B	OFF-(ON)



Model No.	TYPE
R18-28A	OFF-ON
R18-28B	OFF-(ON)



Model No.	TYPE
R18-29A	OFF-(ON)
R18-29B	ON-(OFF)



Model No.	TYPE
R18-30A	OFF-ON (LOCK)
R18-30B	OFF-(ON)