

AS700 Series

Sub-Miniature Pushbutton Switches

SPECIFICATIONS

CONTACT RATING : Dependent upon contact material See page 38.

ELECTRICAL LIFE : 60,000 make-and-break cycles at full load.

CONTACT RESISTANCE : 20mΩ max. initial @ 2-4 VDC. 100 mA for both silver and gold plated contacts.

INSULATION RESISTANCE : 1,000 MΩ min.

DIELECTRIC STRENGTH : 1,000 V RMS min. @ sea level.

OPERATING TEMPERATURE : -30°C to 130°C.

MATERIALS

CASE : Diallyl phthalate (DAP)(UL94V-0).

ACTUATOR : Thermoplastic Polyester-black.

BUSHING : Brass, nickel plated.

HOUSING : Stainless steel.

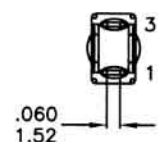
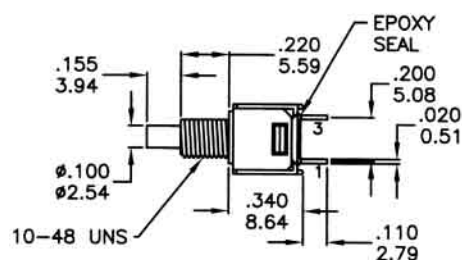
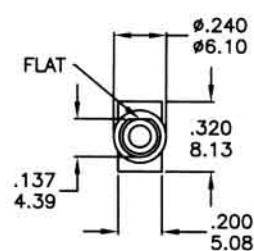
SWITCH SUPPORT : Brass,tin plated.

TERMINAL/CONTACT : Silver or gold plated. See page 38.

TERMINAL SEAL : Epoxy

NO. POLES	MODEL NO.	SWITCH FUNCTION		CONNECTED TERMINALS		SCHEMATIC
		POS.1	POS.2	POS.1	POS.2	
SP	AS-01	OFF	MOM	OPEN	1-3	
	AS-02	ON	MOM	2-1	2-3	

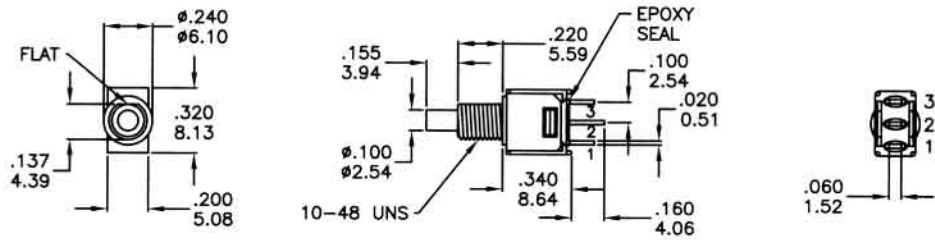
MOM=MOMENTARY



SPST Part No.AS-01B1A1QE

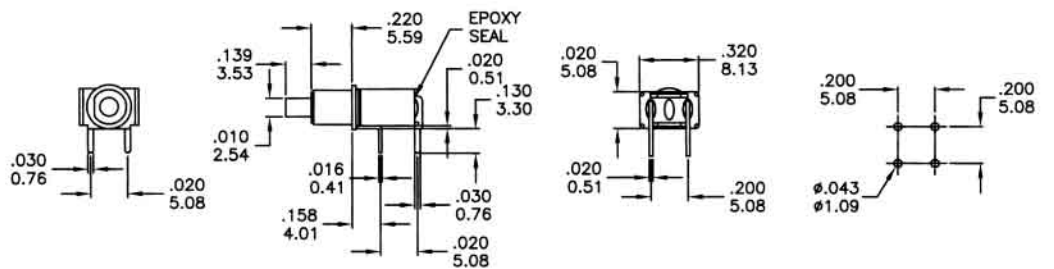
AS700 Series

Sub-Miniature Pushbutton Switches



SPDT Part No.AS-02B1A1QE

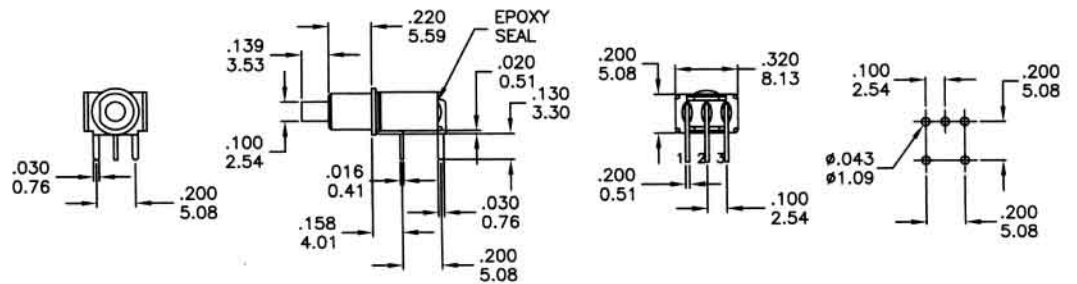
A3



SPST Part No.AS-01B2A3QE

P.C. MOUNTING

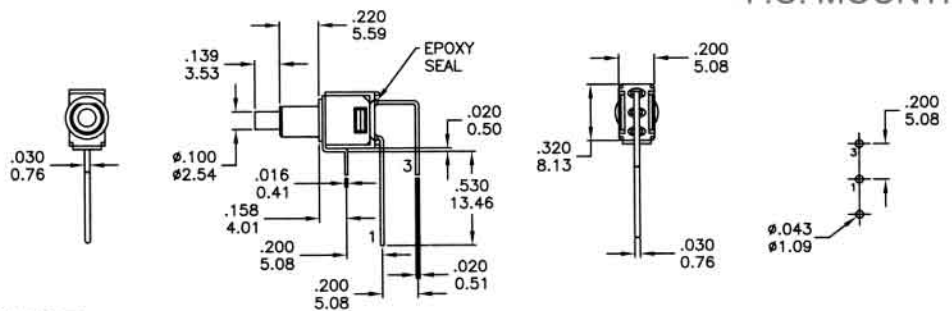
A3



SPDT Part No.AS-02B2A3QE

P.C. MOUNTING

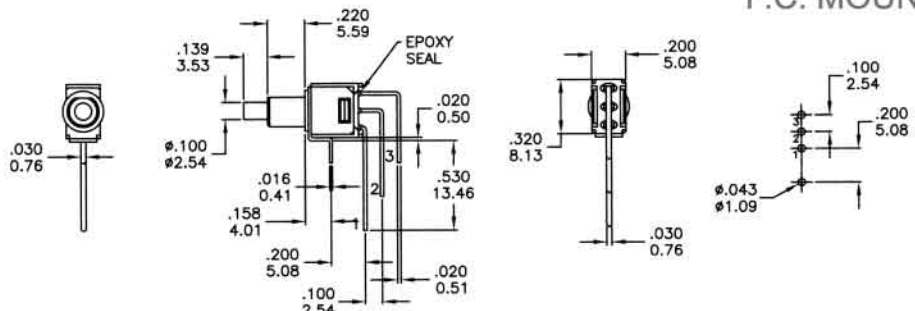
A4



SPST Part No.AS-01B2A4QE

P.C. MOUNTING

A4

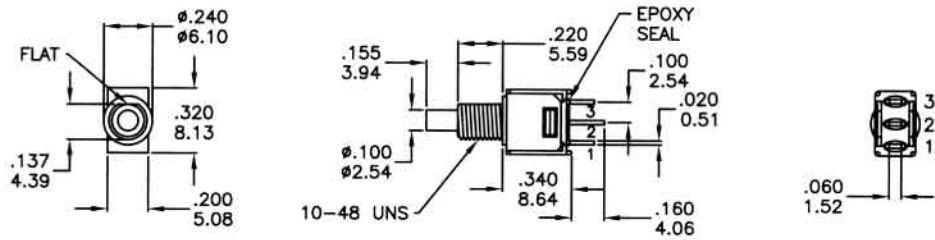


SPDT Part No.AS-02B2A4QE

P.C. MOUNTING

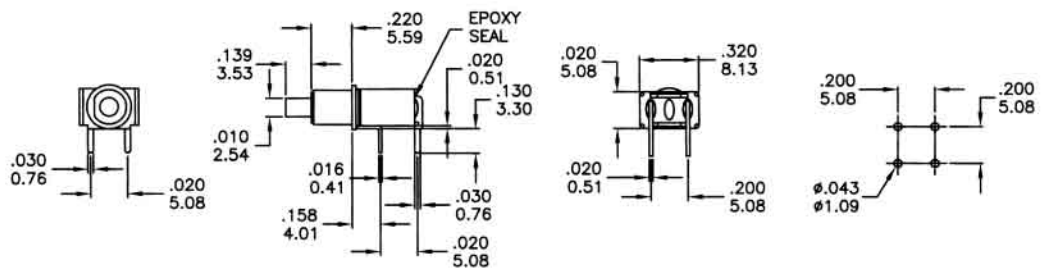
AS700 Series

Sub-Miniature Pushbutton Switches



SPDT Part No.AS-02B1A1QE

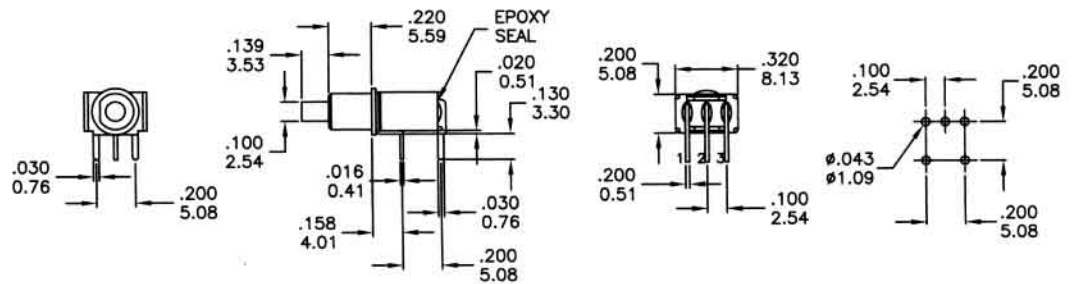
A3



SPST Part No.AS-01B2A3QE

P.C. MOUNTING

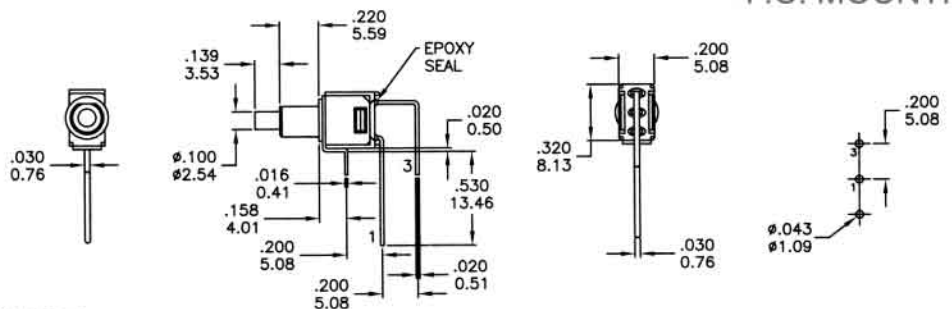
A3



SPDT Part No.AS-02B2A3QE

P.C. MOUNTING

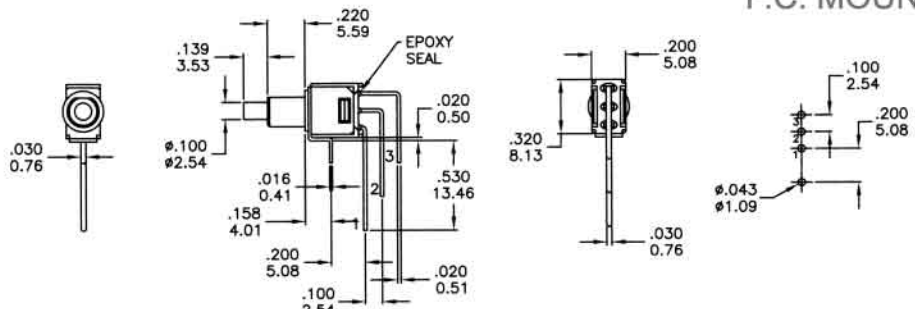
A4



SPST Part No.AS-01B2A4QE

P.C. MOUNTING

A4



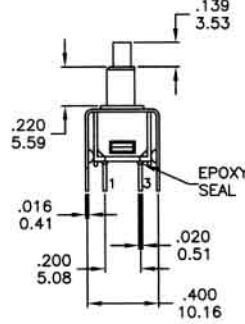
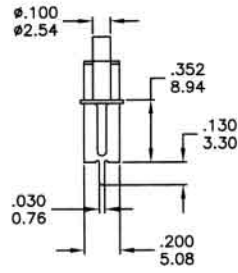
SPDT Part No.AS-02B2A4QE

P.C. MOUNTING

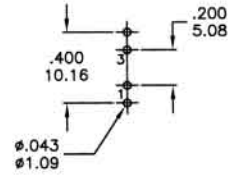
AS700 Series

Sub-Miniature Pushbutton Switches

VS1

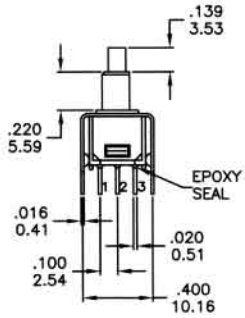
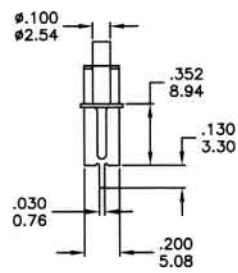


P.C. MOUNTING

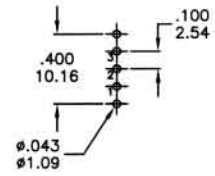


SPST Part No. AS-01B2VS1QE

VS1



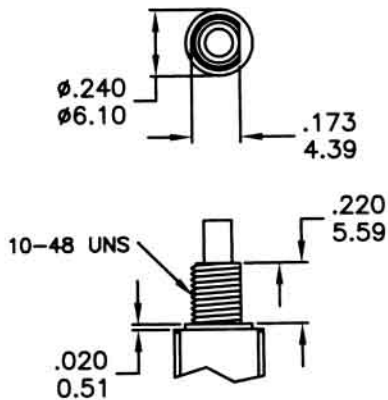
P.C. MOUNTING



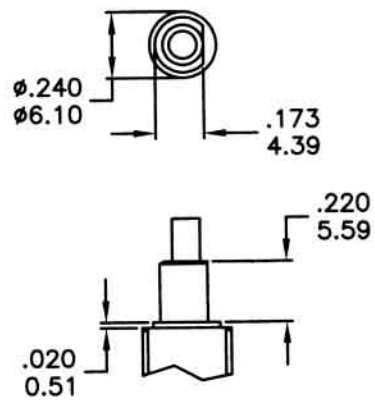
SPDT Part No. AS-02B2VS1QE

BUSHING OPTIONS

B1 THD

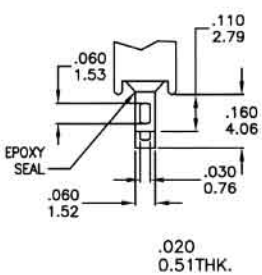


B2 NON-THD

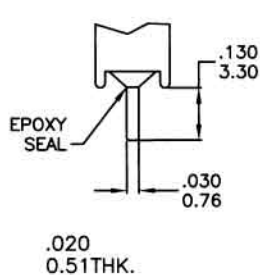


TERMINATION OPTIONS

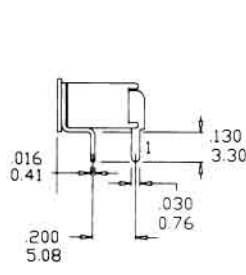
A1



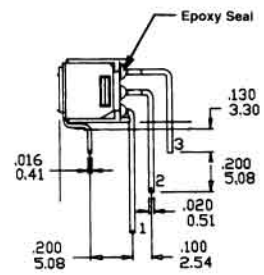
A2



A3

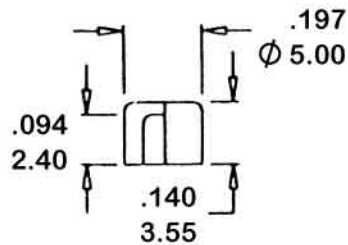


A4

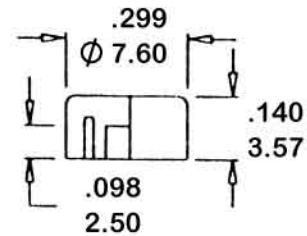


CAPS

C1



C2



CONTACT RATING

Q

FIXED TERMINAL : Silver plated over copper alloy

MOVING CONTACT : Silver plated over copper alloy

RATING : 3 Amps with resistive load@120VAC or 28VDC

1 Amps with resistive load@250VAC

G

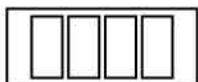
FIXED TERMINAL : Copper alloy with gold plated over nickel plate

MOVING CONTACT : Copper alloy with gold plated over nickel plate

RATING : 0.4 Volt-Amps(VA) max. @20V max. (AC or DC)

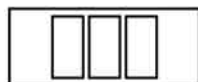
HOW TO ORDER

MODEL NO.



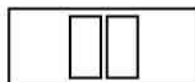
AS-01
AS-02

BUSHING



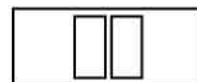
B1
B2

TERMINATIONS



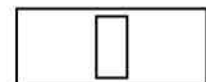
A1
A2
A3
A4
VS1

CONTACT MATERIAL



Q=Silver
G=Gold

SEAL



E=EPOXY
N=NO EPOXY