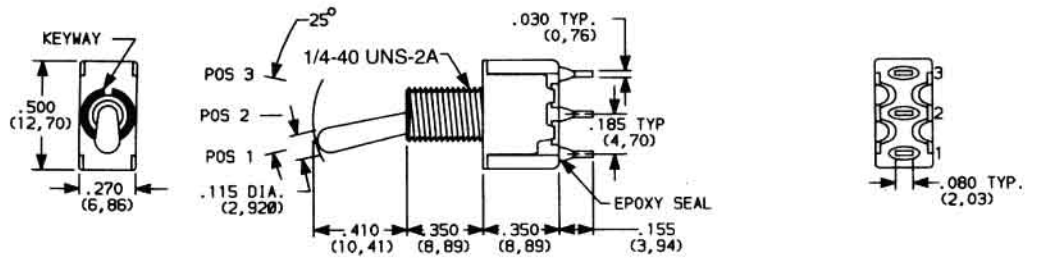
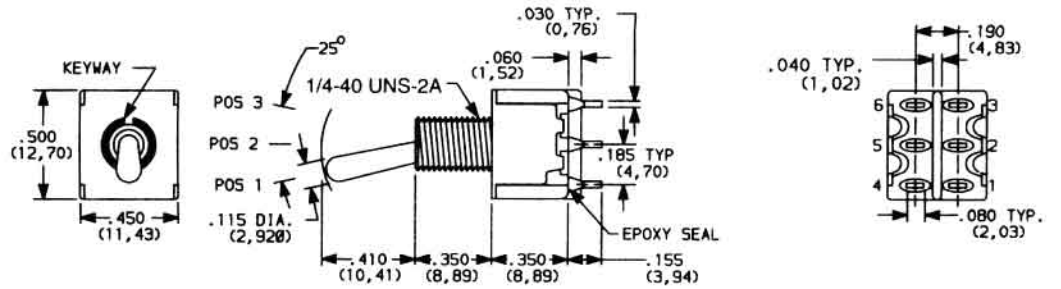


# T100 Series

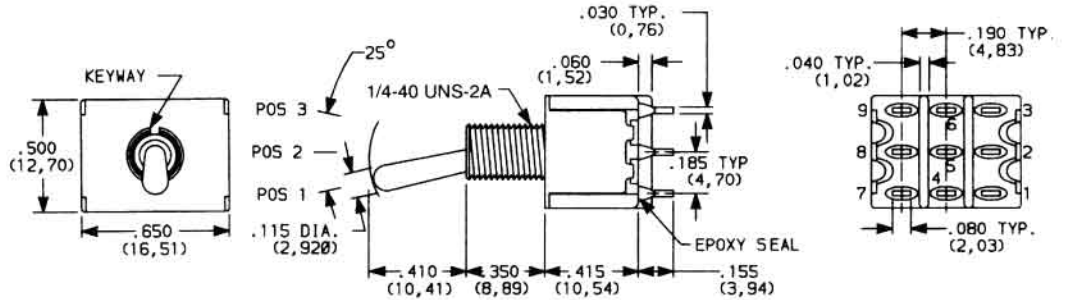
# Toggle Switches



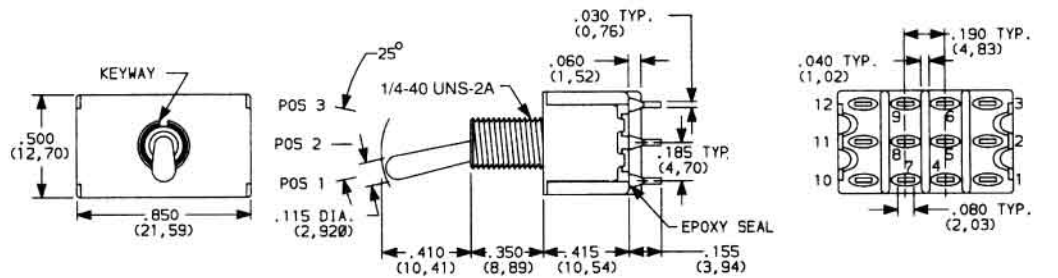
SPDT Part No.T101T1B1A1QE



DPDT Part No.T201T1B1A1QE

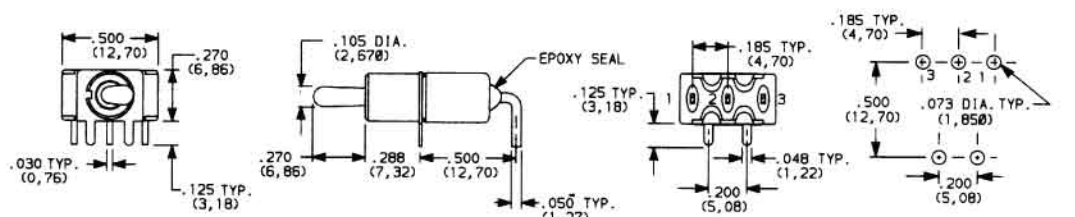


3PDT Part No.T301T1B1A1QE



4PDT Part No.T401T1B1A1QE

## A3



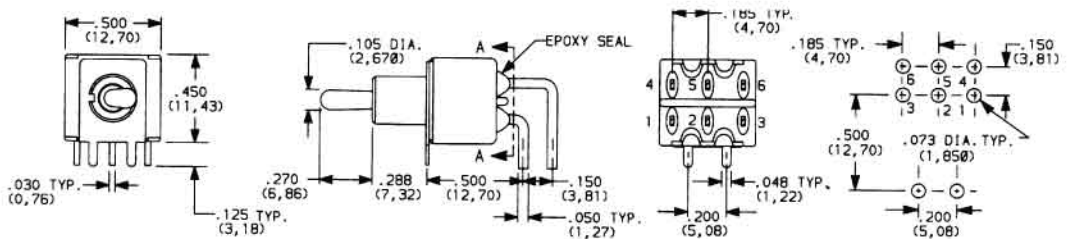
SPDT Part No.T101T2B4A3QE

## P.C. MOUNTING

# T100 Series

# Toggle Switches

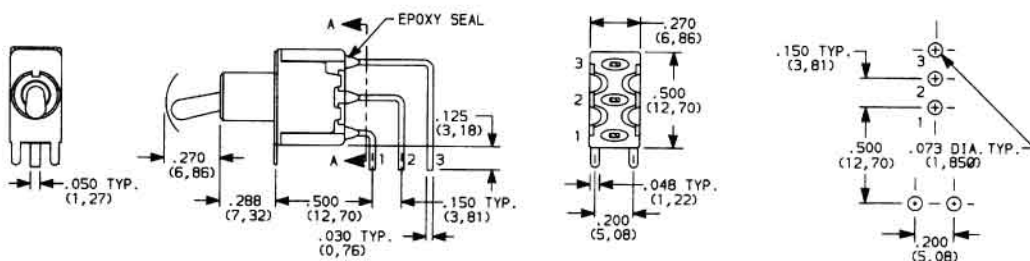
## A3



P.C. MOUNTING

DPDT Part No. T201T2B4A3QE

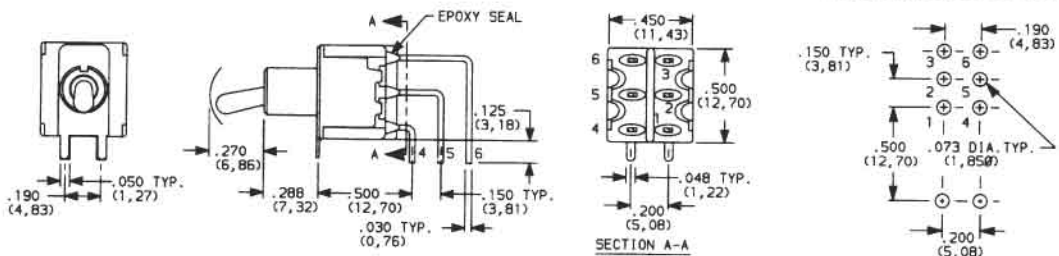
## A4



P.C. MOUNTING

SPDT Part No. T101T2B4A4QE

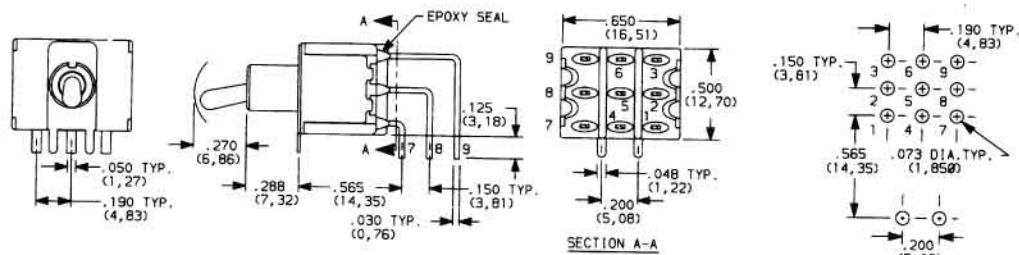
## A4



P.C. MOUNTING

DPDT Part No. T201T2B4A4QE

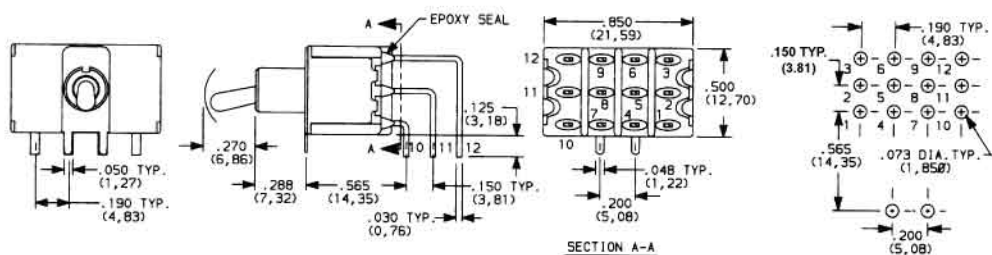
## A4



P.C. MOUNTING

3PDT Part No. T301T2B4A4QE

## A4



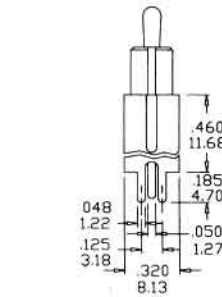
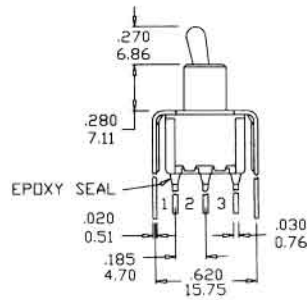
P.C. MOUNTING

4PDT Part No. T401T2B4A4QE

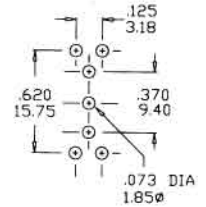
# T100 Series

# Toggle Switches

## VS1

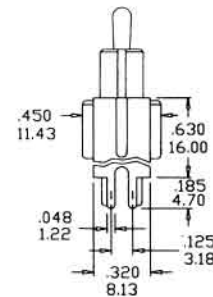
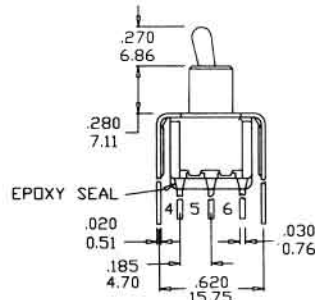


### P.C. MOUNTING

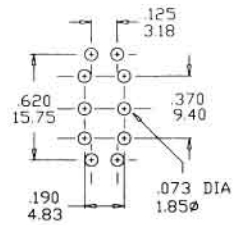


SPDT Part No. T101T2B4VS1QE

## VS1

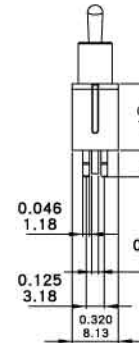
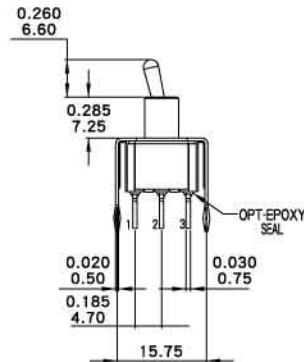


### P.C. MOUNTING

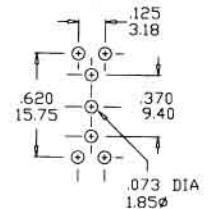


DPDT Part No. T201T2B4VS1QE

## VS2

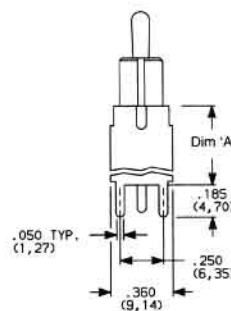
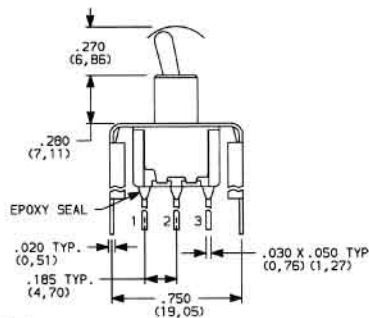


### P.C. MOUNTING

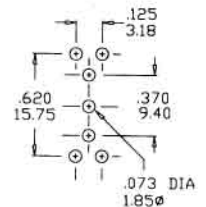


SPDT Part No. T101T2B4VS2QE

## VS3



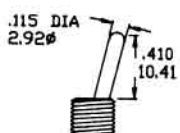
### P.C. MOUNTING



SPDT Part No. T101T2B4VS3QE

## ACTUATOR OPTIONS

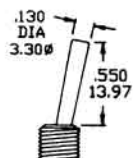
T1



T2



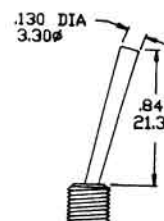
T3



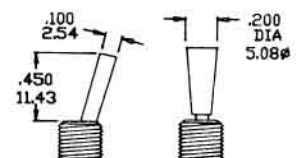
T4



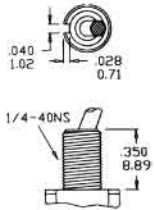
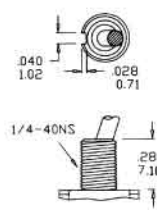
T5



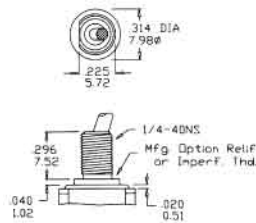
T6



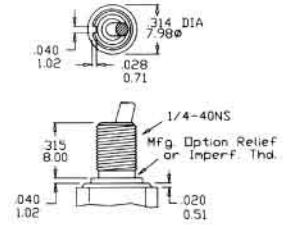
## BUSHING OPTIONS

B1 THD STD  
B2 NON-THDB3 THD  
B4 NON-THD

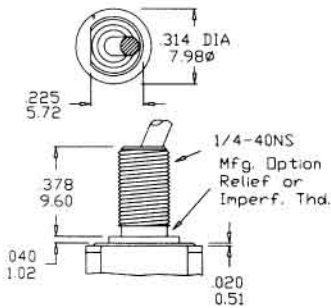
B5 HIGH TORQUE



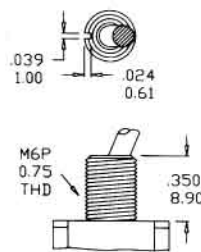
B6 HIGH TORQUE



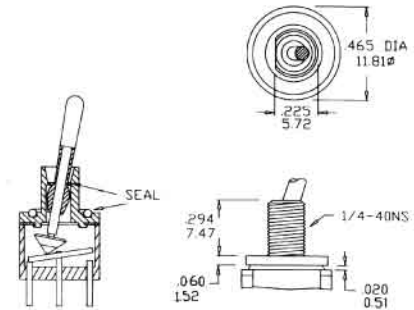
B7 LONG



B8 METRIC

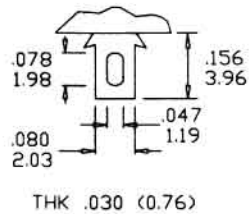


B9 SPLASH-PROOF

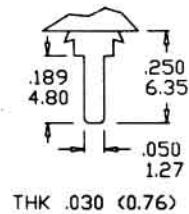


## TERMINATION OPTIONS

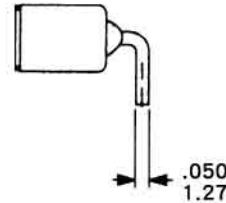
A1 STD



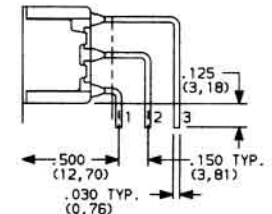
A2



A3



A4



## CONTACT RATING

## Q

**FIXED TERMINAL** : Silver plated over copper alloy

**MOVING CONTACT** : Silver plated over copper alloy

**RATING** : 5 Amps with resistive load@120VAC or 28VDC

2 Amps with resistive load@250VAC

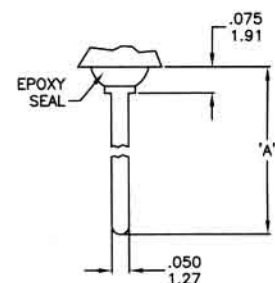
## G

**FIXED TERMINAL** : Copper alloy with gold plated over nickel plate

**MOVING CONTACT** : Copper alloy with gold plated over nickel plate

**RATING** : 0.4 Volt-Amps(VA) max. @20V max. (AC or DC)

A5

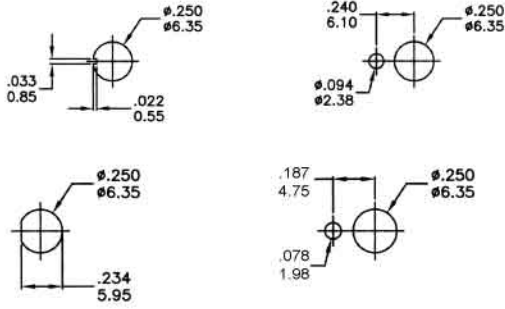


THK .030(0.76)

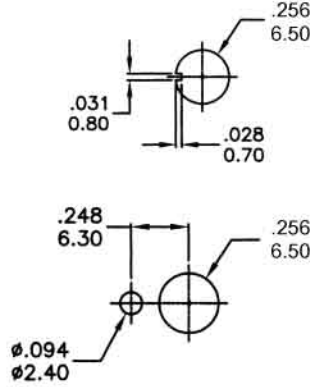
OPTION CODE	DIM. 'A'
A5-1	.700(17.80)
A5-2	.744(17.80)

## PANEL MOUNTING

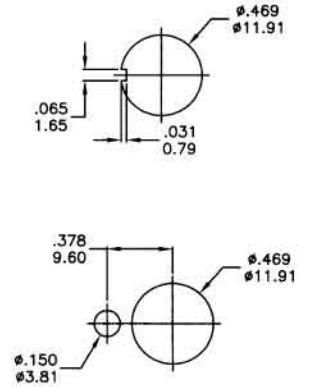
### 1/4 IN. BUSHING



### METRIC BUSHING

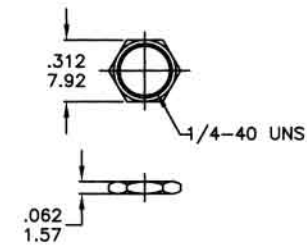


### 15/32 IN BUSHING



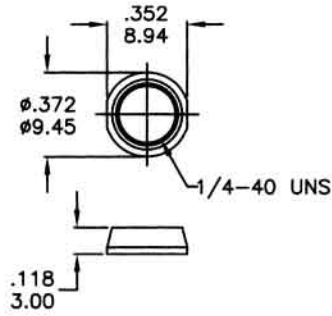
## NUT

### 1/4 NUTS

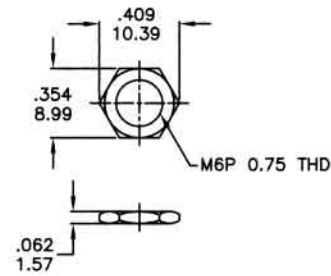


Supplied standard with B1, B3, B5, B6 and B9 options

### DRESS NUT

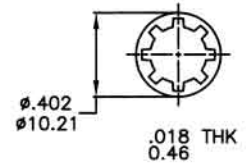


### METRIC NUT



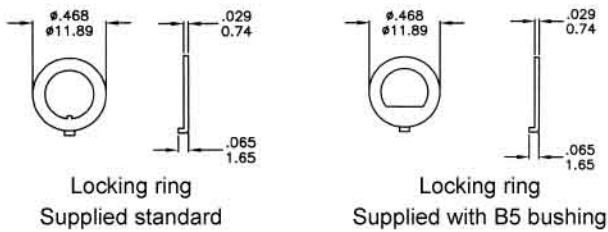
Supplied standard with B8 metric bushing

### LOCK WASHER

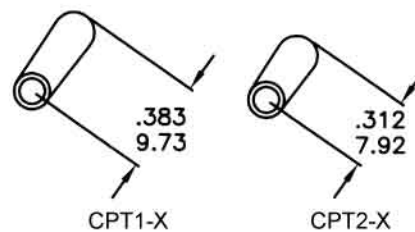


Supplied standard with B1/B3 bushing

## LOCKING RING

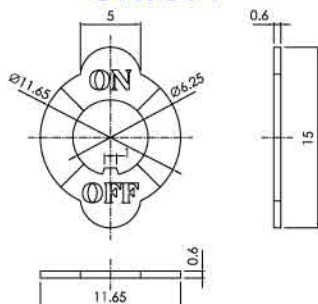


## TOGGLE CAPS

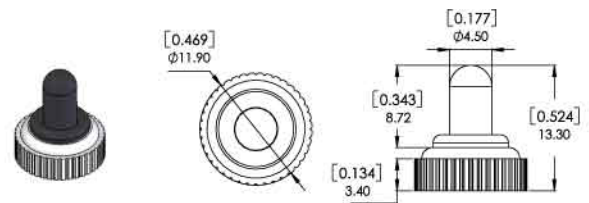


1	Black
2	Red
3	Yellow
4	White
5	Green



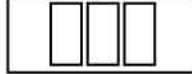



## ON:OFF



## RUBBER HOOD SEALING



## HOW TO ORDER

MODEL NO.	ACTUATOR	BUSHING	TERMINATIONS	CONTACT MATERIAL	SEAL
					
T100 T301 T101 T302 T102 T303 T103 T304 T104 T305 T105 T401 T201 T402 T202 T403 T203 T404 T204 T405 T205 T406 T206	T1 T2 T3 T4 T5 T6	B1 B2 B3 B4 B5 B6 B7 B8 B9	A1 A2 A3 A4 A5-1 A5-2 VS1 VS2 VS3	Q=Silver G=Gold	E=EPOXY N=NO EPOXY